

# LARA9T

T W O   W A Y S   O N - W A L L   L O U D S P E A K E R



- OPTIMAL SOUND QUALITY
- WHITE OR BLACK COLOUR
- 10W POWER @ 100V
- ABS CABINET
- EN54-24 COMPLIANCE

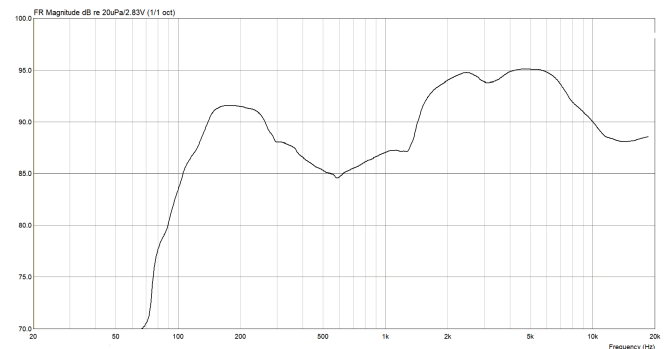
## GENERAL:

LARA9T is a two ways on-wall loudspeaker. It has a 10 cm woofer and a 1" mylar tweeter unit. ABS cabinet provides an optimal bass response and the particular shape of the tweeter housing support brighter high frequencies. It can be used either in 100V mode or low impedance, by the selector on the back. It is equipped with a metallic bracket and black or white colour is available.

## FEATURES:

- Dimensions: 151x245x163 mm
- Weight: 1.9 kg
- Frequency response: 90 - 20000 Hz
- Sensitivity(PN 1W/1mt): 91 dB
- SPL max @10W: 101dB
- Nominal power 100V: 1.25/2.5/5/10W
- Impedance 100V (@ 1kHz): 6.6k/3.3k/1.6k/0.97k Ohm
- Low impedance: 8 Ohm
- Maximum power: 20W
- RNP: >= 100h
- Nominal voltage: 100V
- IP protection: 32
- Material: ABS + metal

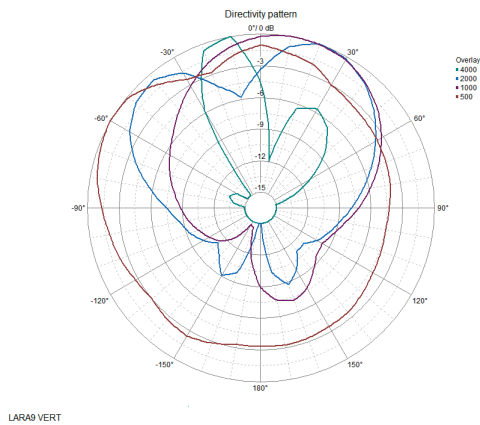
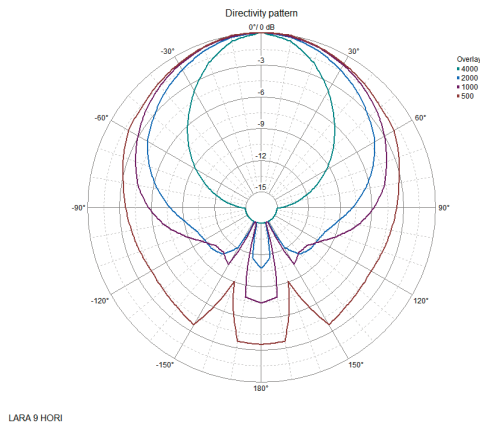
## FREQUENCY RESPONSE:



## INSTALLATION & CONNECTION:

For the correct speaker installation, fix on wall the "C" shape bracket using the provided holes. Place the speaker within the bracket and fix it with the provided special screws. (Set position angle before lock them). Connect audio cable to the back screw terminals. Connect common wire (0) to the black terminal and power wire to the red one. Select mode of operation and desired power according to the selector in the back. **Caution! Speaker is setted at low impedance mode by default!**

## POLAR DIAGRAM (H-V):

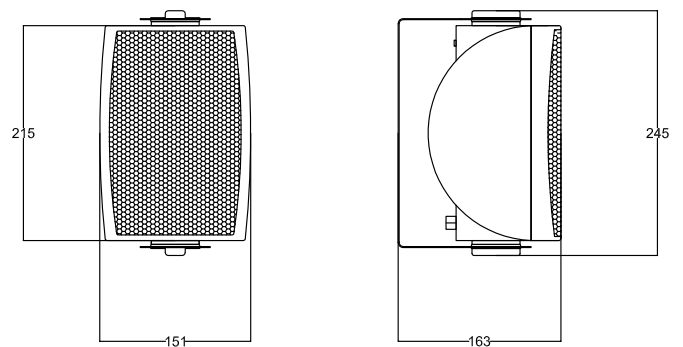


## SOUND PRESSURE PER OCTAVE:

|        | Oct. SPL<br>1W/1mt | Oct. SPL<br>Pmax/1mt |
|--------|--------------------|----------------------|
| 250Hz  | 84                 | 94                   |
| 500Hz  | 84                 | 94                   |
| 1000Hz | 86                 | 96                   |
| 2000Hz | 94                 | 104                  |
| 4000Hz | 93                 | 103                  |
| 8000Hz | 94                 | 104                  |

Pink noise measures, all data in dB SPL value.

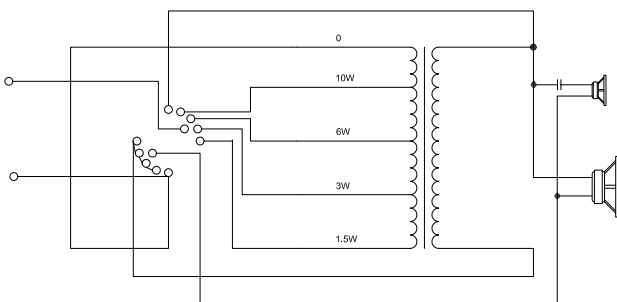
## DIMENSIONS (mm):



## COVERED ANGLE (-6dB):

|        | Horizontal | Vertical |
|--------|------------|----------|
| 500Hz  | 308°       | 360°     |
| 1000Hz | 183°       | 139.8°   |
| 2000Hz | 152°       | 217.4°   |
| 4000Hz | 83°        | 42.2°    |

## SCHEMATIC CIRCUIT:





16

VIVALDI srl  
via E. Fermi, 8  
Noventa di Piave  
(Venice)  
Italy

0068 - CPR - 017/2016

EN 54-24:2008

Loudspeaker for voice alarm systems  
for fire detection and fire alarm systems for buildings

LARA9T  
On wall two way speaker 10W

Environment Type A

See documentation DoP n° 0170032016

To download documentation and certificate scan QR code or go to [vivaldigroup.it](http://vivaldigroup.it) and search the product code.



This is a WEEE device, thus you must dispose it following the local law. Please think at the environment!

