

ROUND16EN

I N C E I L I N G R O U N D S P E A K E R

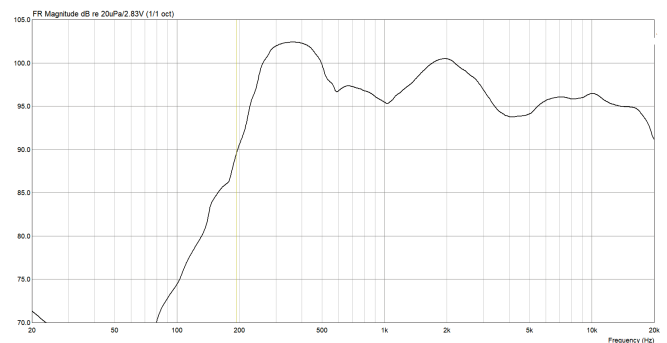


- OPTIMAL SPEECH INTELLIGIBILITY
- IN CEILING MOUNTING CONSTRUCTION
- 10W POWER @ 100V
- METALLIC CHASSIS
- EN54-24 COMPLIANCE

GENERAL:

ROUND16EN is a round shape speaker perfect for installation in plaster or modular ceiling. It is provided with metallic fire protection with holes for cable passing. It has two selectable power selections: 5 or 10W @ 100V.

FREQUENCY RESPONSE:



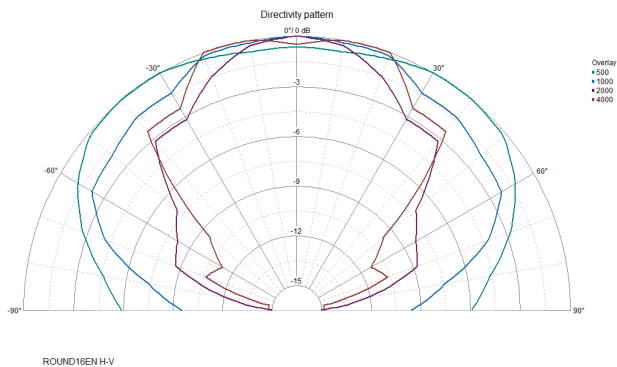
FEATURES:

- Dimensions: 230 x 142 mm
- Weight: 1.8 kg
- Frequency response: 150 - 20000 Hz
- Sensitivity(PN 1W/1mt): 97 dB
- SPL max @10W: 107 dB
- Nominal power 100V: 5/10 W
- Impedance 100V (@ 1kHz): 1980/1010 Ohm
- Nominal impedance: 8 Ohm
- Maximum power: 30 W
- RNP: >= 100h
- Nominal voltage: 100V
- IP protection: 21C
- Material: painted steel

INSTALLATION & CONNECTION:

For a correct speaker installation, make a hole in the wall with 200 mm diameter. Insert metallic cap and fix it using the metallic tooth plates (Tight well the screws). Connect audio cable from amplifier to the ceramic terminal. Connect common wire (0) to the "0" terminal and power wire to the desired power terminal (5 or 10 W). Hook the speaker to the cap using the two springs, and insert it into the cap taking care about wires. Pay attention at fingers during this operation.

POLAR DIAGRAM (H-V):

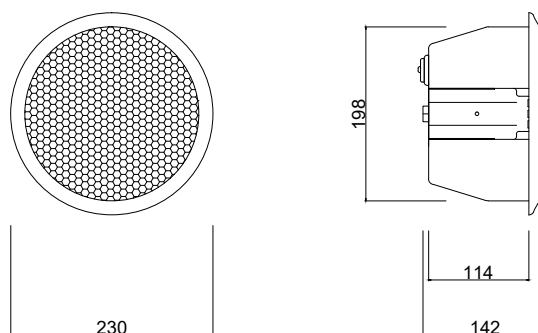


SUOND PRESSURE PER OCTAVE:

	Oct. SPL 1W/1mt	Oct. SPL Pmax/1mt
250Hz	88	98
500Hz	97	106
1000Hz	95	104
2000Hz	99	108
4000Hz	92	102
8000Hz	97	106

Pink noise measures, all data in dB SPL value.

DIMENSIONS (mm):



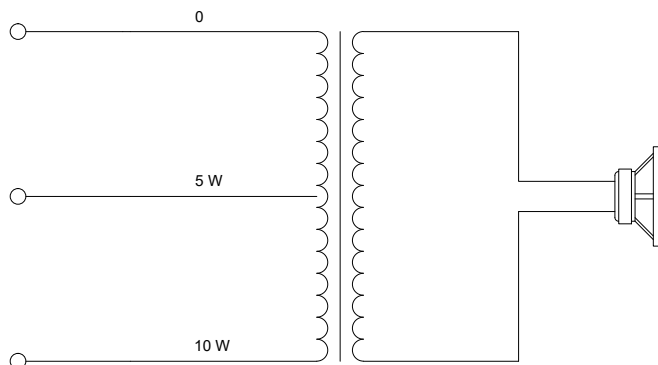
To download documentation and certificate scan QR code or go to vivaldigroup.it and search the product code.



COVERED ANGLE (-6dB):

	Horizontal	Vertical
500Hz	180°	180°
1000Hz	151°	151°
2000Hz	94°	94°
4000Hz	91°	91°

SCHEMATIC CIRCUIT:



 17
VIVALDI srl via E. Fermi, 8 Noventa di Piave (Venice) Italy 0068 - CPR - 059/2017
EN 54-24:2008 Loudspeaker for voice alarm systems for fire detection and fire alarm systems for buildings ROUND16EN In ceiling speaker 10W Environment Type A See documentation DoP n° 0590032017



This is a WEEE device, thus you must dispose it following the local law. Please think at the environment!



mod: DTS rev: 0 4-16 da: S83