

ROUND17TF

D I F F U S O R E C I R C O L A R E D A I N C A S S O H I - F I



- OPTIMAL SOUND QUALITY
- FRAMELESS DESIGN
- BASS REFLEX TECHNOLOGY
- 32W POWER @ 100V
- EN54-24 COMPLIANCE

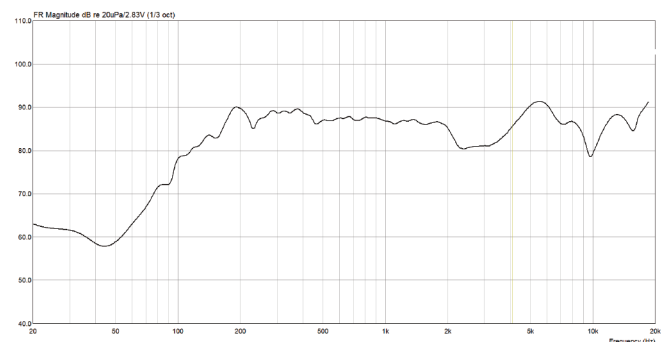
GENERAL:

ROUND17TF can provide an optimal sound reproduction, a light impact design and EN54-24 security. It is equipped with a two ways speaker with 13 cm low unit and 1" tweeter. Bass unit can count on bass reflex technology that increases low frequencies pressure. Frameless design is perfect where environments require a minimum view impact. It is equipped with a rotary switch which can be set on 5 power levels: 2-4-8-16-32W.

FEATURES:

- Dimensions: 284 X 155 mm
- Weight: 2.9 kg
- Frequency response: 80 - 20000 Hz
- Sensitivity(PN 1W/1mt): 86 dB
- SPL max @32W: 101 dB
- Nominal power 100V: 2/4/8/16/32 W
- Impedance 100V (@ 1kHz): 6.3k/3.2k/1.5k/750/360 Ohm
- Nominal impedance: 8 Ohm
- Maximum power: 60 W
- RNP: >= 100h
- Nominal voltage: 100V
- IP protection: 33
- Material: ABS + metal

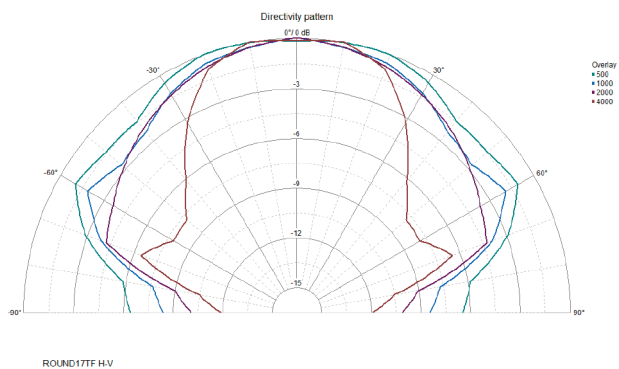
FREQUENCY RESPONSE:



INSTALLATION & CONNECTION:

For correct speaker installation, you have to make a hole (diameter of 260 mm) on the wall. Connect two conductors of the line to the terminal of the speaker: connect the negative line to the terminal "-" and the power to the "+" terminal. Apply the metallic covering protection of the terminal and insert the speaker within the hole. Hang the speaker by tightening the 4 screws on the front. (it is necessary rotate a couple of turns counterclockwise, before screw it, to release the hooks from the seat), select the power desired by rotating the selector and apply the grill putting it to the magnets on the front surface. Warning !: do not set the speaker position 8 Ohm in case of use with 100V amplifiers.

POLAR DIAGRAM (H-V):

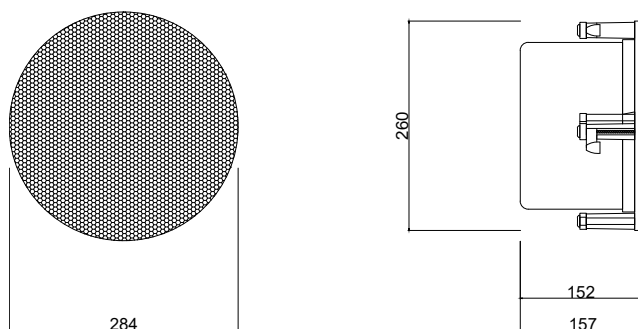


SUOND PRESSURE PER OCTAVE:

	Oct. SPL 1W/1mt	Oct. SPL Pmax/1mt
250Hz	85	99
500Hz	86	100
1000Hz	87	101
2000Hz	86	100
4000Hz	83	97
8000Hz	86	100

Pink noise measures, all data in dB SPL value.

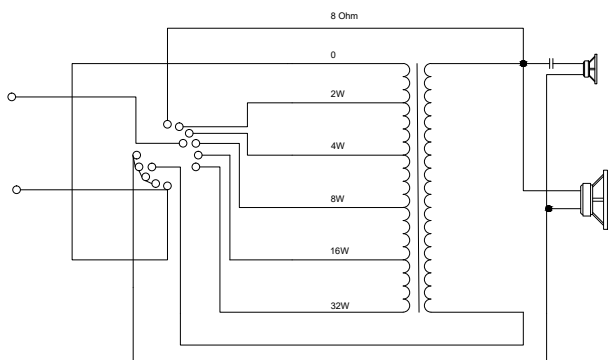
DIMENSIONS (mm):



COVERED ANGLE (-6dB):

	Horizontal	Vertical
500Hz	171°	171°
1000Hz	151°	151°
2000Hz	147°	147°
4000Hz	80°	80°

SCHEMATIC CIRCUIT:





17

VIVALDI srl
via E. Fermi, 8
Noventa di Piave
(Venice)
Italy

0068 - CPR - 059/2017

EN 54-24:2008

Loudspeaker for voice alarm systems
for fire detection and fire alarm systems for buildings

ROUND17TF
In ceiling speaker 32W

Environment Type A

See documentation DoP n° 0590042017

To download documentation and certificate scan QR code or go to vivaldigroup.it and search the product code.



This is a WEEE device, thus you must dispose it following the local law. Please think at the environment!



mod: DTS rev: 0 4-16 da: S83