

AMBRA21T

VIVALDI

T W O W A Y S O N W A L L L O U D S P E A K E R

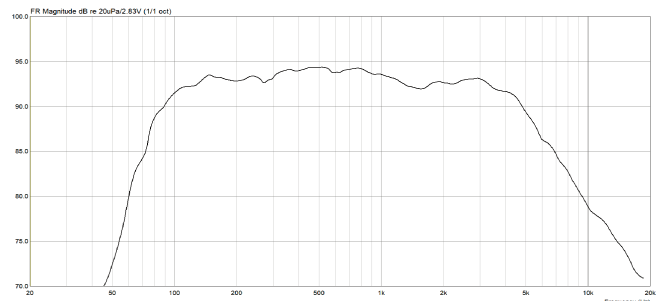


- OPTIMAL SOUND QUALITY
- WHITE OR BLACK COLOUR
- 40W POWER @ 100V
- ABS CABINET
- EN54-24 COMPLIANCE

GENERAL:

AMBRA 21T is a two ways on-wall loudspeaker. It has a 20cm woofer and a 1" mylar tweeter unit. ABS cabinet provides an optimal bass response and the particular shape of the tweeter housing support brighter high frequencies. It can be used either in 100V mode or low impedance, by the selector on the back. It is equipped with a metallic bracket and black or white colour is available.

FREQUENCY RESPONSE:



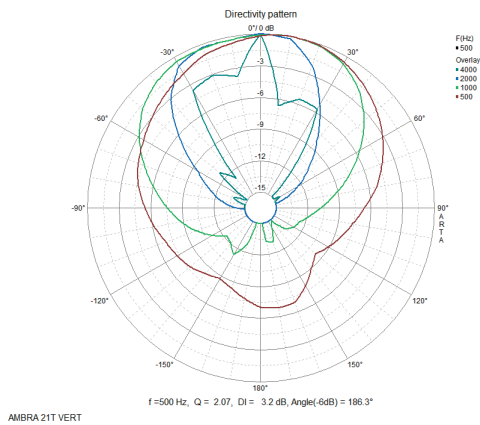
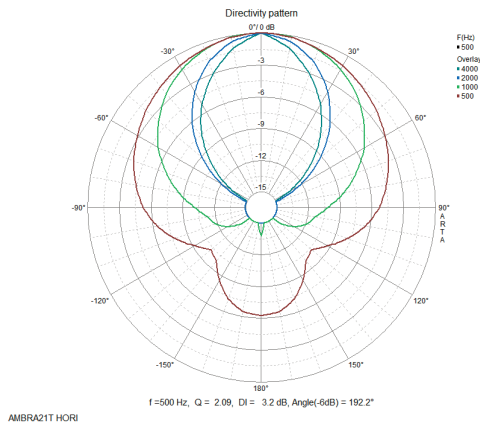
FEATURES:

- Dimensions: 287x409x288 mm
- Weight: 6.3 kg
- Frequency response: 60 - 16000 Hz
- Sensitivity(PN 1W/1mt): 92 dB
- SPL max @ 40W: 108 dB
- Nominal power 100V: 5/10/20/40 W
- Impedance 100V (@ 1kHz): 2.4k/1.3k/590/300 Ohm
- Nominal impedance: 8 Ohm
- Maximum power: 80W @ 8 Ohm
- RNP: >= 100h
- Nominal voltage: 100V
- IP protection: 32
- Material: ABS + metal

INSTALLATION & CONNECTION:

For the correct speaker installation, fix on wall the "C" shape bracket using the provided holes. Place the speaker within the bracket and fix it with the provided special screws. (Set position angle before lock them). Connect audio cable to the back screw terminals. Connect common wire (0) to the black terminal and power wire to the red one. Select mode of operation and desired power acting to the selector in the back. **Caution! Speaker is setted at low impedance mode by default!**

POLAR DIAGRAM (H-V):

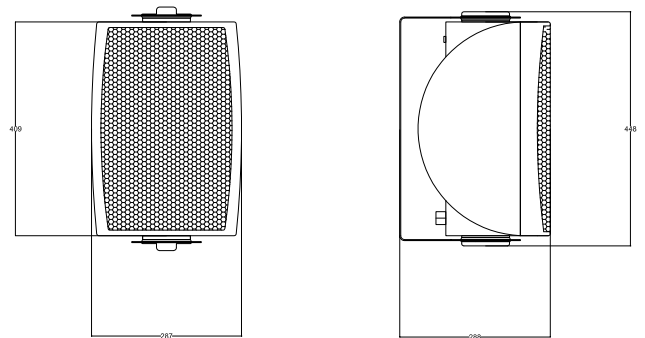


SOUND PRESSURE PER OCTAVE:

	Oct. SPL 1W/1mt	Oct. SPL Pmax/1mt
250Hz	84	98
500Hz	91	105
1000Hz	96	110
2000Hz	92	107
4000Hz	91	106
8000Hz	80	94

Pink noise measures, all data in dB SPL value.

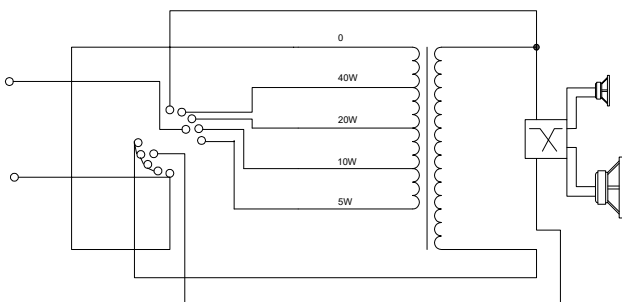
DIMENSIONS (mm):



COVERAGE ANGLE (-6dB):

	Horizontal	Vertical
500Hz	192.2°	186.3°
1000Hz	129.2°	141.8°
2000Hz	77.2°	80.8°
4000Hz	65.8°	41.5°

SCHEMATIC CIRCUIT:





16

VIVALDI srl
via E. Fermi, 8
Noventa di Piave
(Venice)
Italy

0068 - CPR - 035/2016

EN 54-24:2008

Loudspeaker for voice alarm systems
for fire detection and fire alarm systems for buildings

AMBRA21T
Two ways on-wall loudspeaker 40W

Environment Type A

See documentation DoP n° 0350012016

To download documentation and certificate scan QR code or go to vivaldigroup.it and search the product code.



This is a WEEE device, thus you must dispose it following the local law. Please think at the environment!



mod: DTS rev: 0 4-16 da S83