

# GIADA10T

# VIVALDI

T W O   W A Y S   I N - W A L L   L O U D S P E A K E R



- OPTIMAL SOUND QUALITY
- ON-WALL APPLICATION\*
- 6W POWER @100V
- ABS CHASSIS
- EN54-24 COMPLIANCE\*\*

## GENERAL:

GIADA10T is a two ways IN-wall loudspeaker. It has a 10 cm woofer and a 1/2" tweeter unit. Loudspeaker could be also mounted on wall, using SR10ENX metal box.

GIADA10T provide a perfect solution in small rooms, offices or wherever a ceiling mounting solution is not possible. 100V transformer provides 3 power options: 1.5, 3, 6 W. It is supplied with a steel painted net. For the EN54 compliance it is necessary to install the speaker with optional metal boxes: SR10 (in-wall), SR10ENX (on-wall).

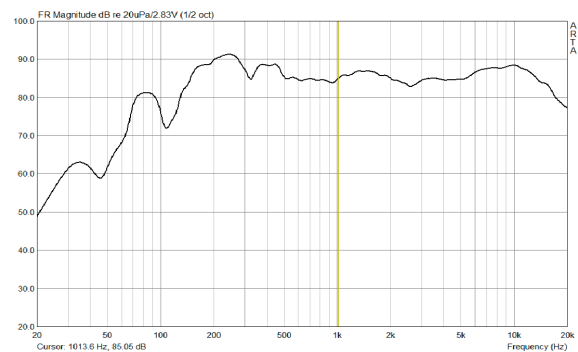
\*) only with SR10ENX, not included

\*\*) only with SR10 or SR10ENX not included

## FEATURES:

- Dimensions: 147x222x65 mm
- Hole needed: 120x194x62 mm
- Weight: 0.9 kg
- Frequency response: 90 - 20000 Hz
- Sensitivity(PN 1W/1mt): 87 dB
- SPL max @ 6 W: 94 dB
- Nominal power 100V: 1.5 / 3 / 6 W
- Impedance 100V (@1kHz): 7 / 3.5 / 1.8 kOhm
- Maximum power: 40W
- RNP: >= 100h
- Nominal voltage: 100V
- IP protection: 31
- Material: ABS

## FREQUENCY RESPONSE:



## INSTALLATION & CONNECTION:

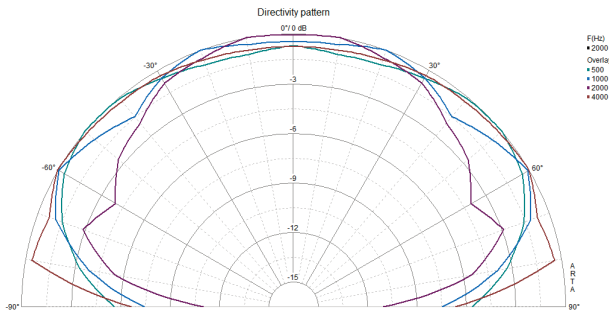
In-wall: secure the box SR10, in wall or in the plasterboard. Tear one lid using a plier and put an electric pipe inside.

On-wall: Using a pliers, tear one lid of the box and put the electrical pipe inside. Fix the SR10ENX box on the wall using 4 anchors.

Connect the audio line from the amplifiers to the speaker respecting the polarity. Connect common wire to the black wire on the transformer and the other to the desired power. Fasten the speaker to the box using the 4 screws. They must be rotate counterclockwise for about two turns in order to release the hooks from their seats.

Caution: SR10 and SR10ENX are not provided with the speaker.  
For EN54 compliance SR10EN or SR10ENX are mandatory.

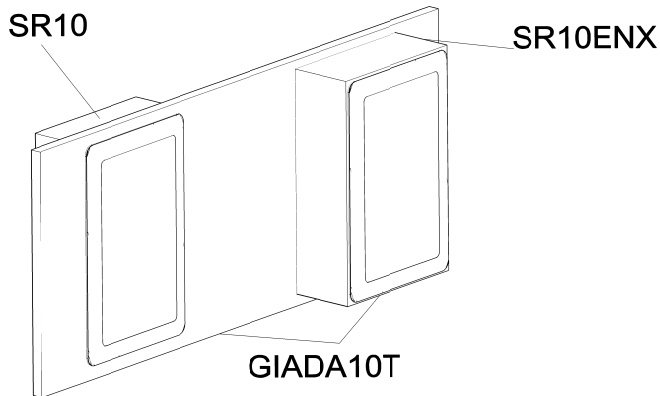
**POLAR DIAGRAM (H-V):**



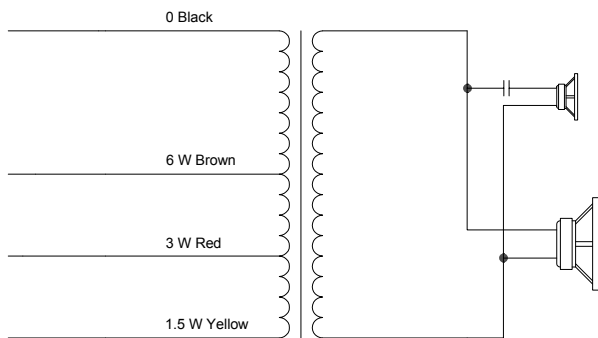
**COVERED ANGLE (-6dB):**

	Horizontal	Vertical
500Hz	180°	180°
1000Hz	174°	174°
2000Hz	162°	162°
4000Hz	153°	153°

**IN AND ON WALL SOLUTIONS:**



**SCHEMATIC CIRCUIT:**

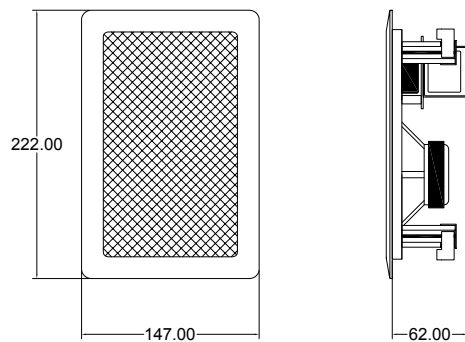


**SOUND PRESSURE PER OCTAVE:**

	Oct. SPL 1W/1mt	Oct. SPL Pmax/1mt
250Hz	91.2	97.3
500Hz	85.4	91.9
1000Hz	85.0	91.3
2000Hz	84.6	91.0
4000Hz	84.6	90.5
8000Hz	87.7	94.2

Pink noise measures on a IEC baffle, all data in dB SPL value.

**DIMENSIONS (mm):**





17

VIVALDI srl  
via E. Fermi, 8  
Noventa di Piave  
(Venice)  
Italy

0068 - CPR - 059/2017

EN 54-24:2008

Loudspeaker for voice alarm systems  
for fire detection and fire alarm systems for buildings  
GIADA10T + SR10  
In wall two ways loudspeaker 6W  
GIADA10T + SR10ENX  
On wall two ways loudspeaker 6W  
Environment Type A

See documentation DoP n° 0590022017



To download documentation and certificate scan QR code or go to [vivaldigroup.it](http://vivaldigroup.it) and search the product code.



This is a WEEE device, thus you must dispose it following the local law. Please think at the environment!

