

LARA10T

VIVALDI

T W O W A Y S O N - W A L L L O U D S P E A K E R



- OPTIMAL SOUND QUALITY
- WHITE OR BLACK COLOUR
- 20W POWER @ 100V
- ABS CABINET
- EN54-24 COMPLIANCE

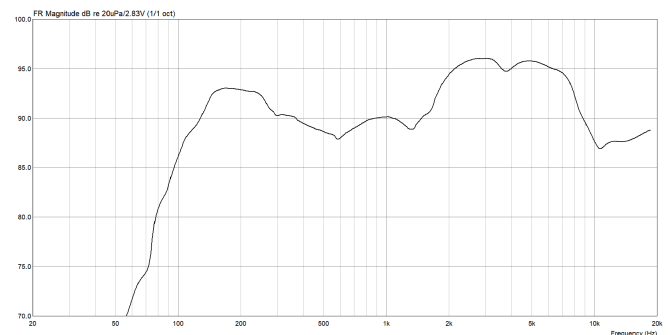
GENERAL:

LARA10T is a two ways on-wall loudspeaker. It has a 13 cm woofer and a 1" mylar tweeter unit. ABS cabinet provides an optimal bass response and the particular shape of the tweeter housing support brighter high frequencies. It can be used either in 100V mode or low impedance, by the selector on the back. It is equipped with a metallic bracket and black or white colour is available.

FEATURES:

- Dimensions: 176x286x190 mm
- Weight: 2.6 kg
- Frequency response: 80 - 20000 Hz
- Sensitivity(PN 1W/1mt): 92 dB
- SPL max @20W: 105 dB
- Nominal power 100V: 2.5/5/10/20 W
- Impedance 100V (@ 1kHz): 4.5k/2.3k/1.1k/0.58k Ohm
- Nominal impedance: 8 Ohm
- Maximum power: 40Wrms
- RNP: >= 100h
- Nominal voltage: 100V
- IP protection: 32
- Material: ABS + metal

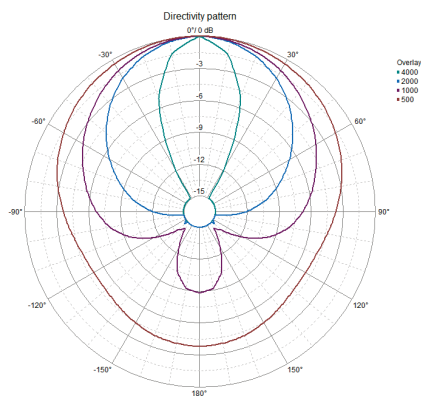
FREQUENCY RESPONSE:



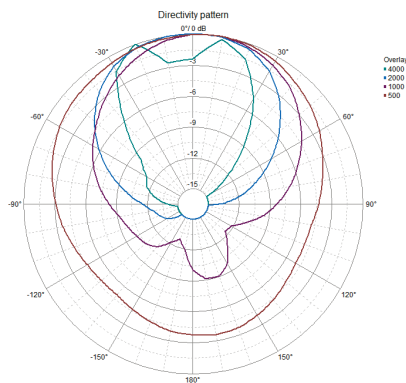
INSTALLATION & CONNECTION:

For the correct speaker installation, fix on wall the "C" shape bracket using the provided holes. Place the speaker within the bracket and fix it with the provided special screws. (Set position angle before lock them). Connect audio cable to the back screw terminals. Connect common wire (0) to the black terminal and power wire to the red one. Select mode of operation and desired power according to the selector in the back. **Caution! Speaker is setted at low impedance mode by default!**

POLAR DIAGRAM (H-V):



LARA10 HORI



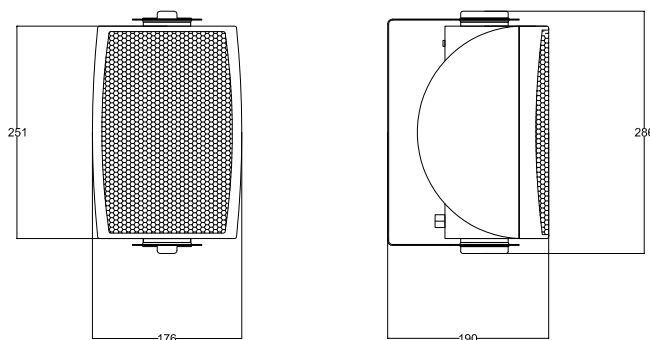
LARA10 VERT

SUOND PRESSURE PER OCTAVE:

	Oct. SPL 1W/1mt	Oct. SPL Pmax/1mt
250Hz	86	98
500Hz	87	99
1000Hz	90	103
2000Hz	91	104
4000Hz	95	107
8000Hz	94	105

Pink noise measures, all data in dB SPL value.

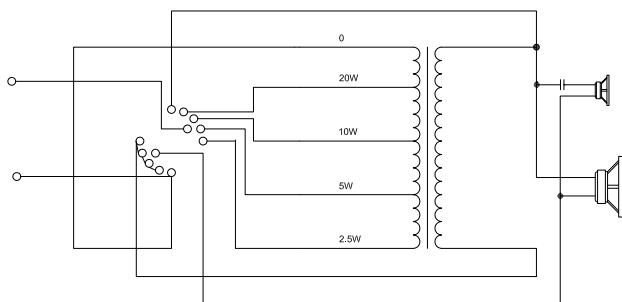
DIMENSIONS (mm):



COVERED ANGLE (-6dB):

	Horizontal	Vertical
500Hz	360°	360°
1000Hz	164.4°	141.5°
2000Hz	111.3°	112.5°
4000Hz	42.3°	85.6°

SCHEMATIC CIRCUIT:





16

VIVALDI srl
via E. Fermi, 8
Noventa di Piave
(Venice)
Italy

0068 - CPR - 017/2016

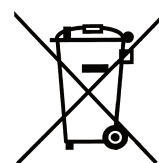
EN 54-24:2008

Loudspeaker for voice alarm systems
for fire detection and fire alarm systems for buildings

LARA10T
On wall two way speaker 20W
Environment Type A

See documentation DoP n° 0170042016

To download documentation and certificate scan QR code or go to vivaldigroup.it and search the product code.



This is a WEEE device, thus you must dispose it following the local law. Please think at the environment!

