

PS10

VIVALDI

UNIDIRECTIONAL SOUND PROJECTOR



- WATERPROOF IP65
- INDOOR AND OUTDOOR APPLICATION
- 10W POWER @100V
- ALUMINUM CABINET
- EN54-24 COMPLIANCE

GENERAL:

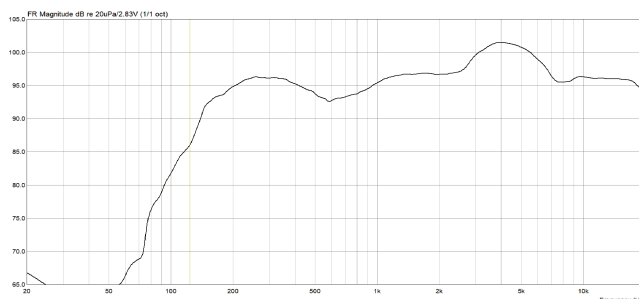
Unidirectional sound projector PS10 has been conceived for outdoor and indoor applications and it isn't afraid of most difficult environment situations, thanks to the metallic construction.

It is provided with a multi-wire cable 50cm length. It could be easily mounted by its metal painted bracket. It has four 100V power selection: 1.25/2.5/5/10W.

FEATURES:

- Dimensions: 150x151x156 mm
- Weight: 2.2 kg
- Frequency response: 120 : 20000 Hz
- Sensitivity(1W/1mt): 96 dB
- SPL max @10W: 106dB
- Nominal power 100V: 1.25/2.5/5/10W
- Nominal Impedance: 8.8k/4.4k/2.2k/1.1k Ohm
- Maximum power: 20W
- RNP: >= 100h
- Nominal voltage: 100V
- IP protection: 65
- Material: painted Aluminum

FREQUENCY RESPONSE:



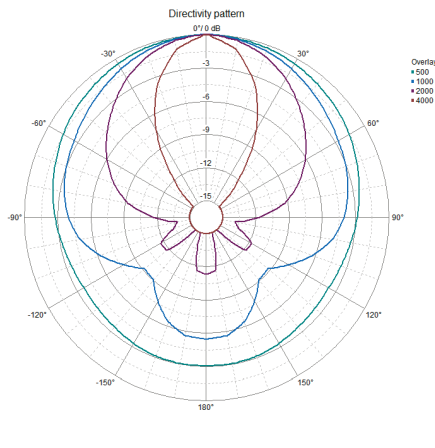
INSTALLATION & CONNECTION:

For the correct speaker installation, fix on wall the "C" shape bracket using the provided holes (d=7mm). Fix bracket screws at the lateral threaded holes. Connect audio cable from amplifier to the provided speaker cable. Connect common wire (0) to the black speaker wire and power wire to the coloured wire, depending on the desired power.

- 1.25W= Green
- 2.50W= Yellow
- 5 W= Blue
- 10 W= White

Unused wires must be insulated each one!

POLAR DIAGRAM (H-V):



COVER ANGLE (-6dB):

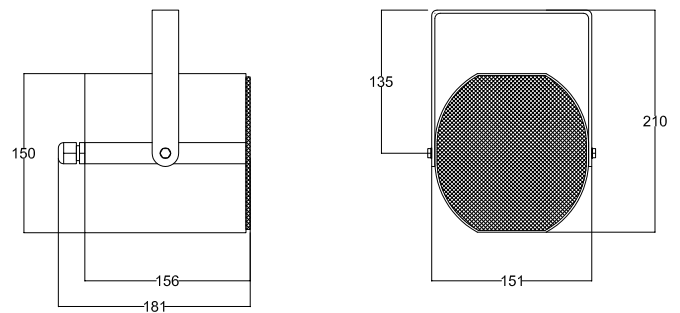
	Horizontal	Vertical
500Hz	360°	360°
1000Hz	215.7°	215.7°
2000Hz	117.9°	117.9°
4000Hz	52.4°	52.4°

SOUND PRESSURE PER OCTAVE:

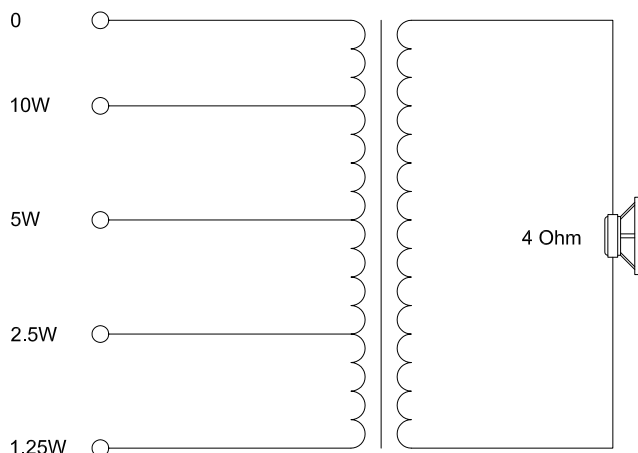
	Oct. SPL 1W/1mt	Oct. SPL Pmax/1mt
250Hz	95	104
500Hz	92	102
1000Hz	91	101
2000Hz	96	105
4000Hz	104	114
8000Hz	93	102

Pink noise measures, all data in dB SPL value.

DIMENSIONS (mm):



SCHEMATIC CIRCUIT:





16

VIVALDI srl
via E. Fermi, 8
Noventa di Piave
(Venice)
Italy

0068 - CPR - 017/2016

EN 54-24:2008

Loudspeaker for voice alarm systems
for fire detection and fire alarm systems for buildings

PS10
Unidirectional sound projector 10W

Environment Type B

See documentation DoP n° 0170012016



To download documentation and certificate scan QR code or go to vivaldigroup.it and search the product code.



This is a WEEE device, thus you must dispose it following the local law. Please think at the environment!