

ROUND13EN

I N C E I L I N G C I R C U L A R S P E A K E R



- OPTIMAL SPEECH INTELLIGIBILITY
- IDEAL FOR IN CEILING INSTALLATION
- 6W POWER @ 100V
- METALLIC CHASSIS
- EN54-24 COMPLIANCE

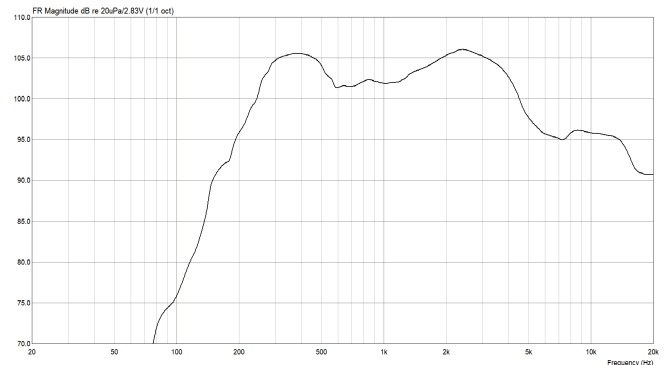
GENERAL:

ROUND13EN is an in-ceiling metallic circular speaker, perfect for plaster wall or modular ceiling. It is provided with a metallic flame resistant cap with holes for cables. It has two power selections: 3 / 6W @ 100V.

FEATURES:

- Dimensions: \varnothing 185 x 137 mm
- Weight: 1.4kg
- Frequency response: 180 - 16000 Hz
- Sensitivity (1W/1mt): 95 dB
- SPL max @6W: 102 dB
- Nominal power 100V: 3 / 6 W
- Nominal impedance (@1kHz): 2.4k / 1.2k Ohm
- Maximum power: 6W
- RNP: \geq 100h
- Nominal voltage: 100V
- IP protection: 21C
- Material: painted Steel

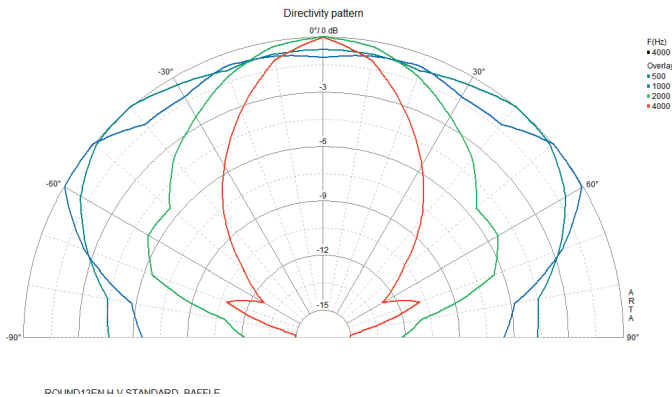
FREQUENCY RESPONSE:



INSTALLATION & CONNECTION:

For a correct speaker installation, make a hole in the wall with 155mm diameter. Insert metallic cap and fix it using the metallic tooth plates (Tight well the screws). Connect audio cable from amplifier to the ceramic terminal. Connect common wire (0) to the "0" terminal and power wire to the desired power terminal (3 or 6 W). Hook the speaker to the cap using the two springs, and insert it into the cap take care about wires. Pay attention at fingers during this operation.

POLAR DIAGRAM (H-V):



COVER ANGLE (-6dB):

	Horizontal	Vertical
500Hz	180°	180°
1000Hz	180°	180°
2000Hz	128°	128°
4000Hz	55°	55°

To download documentation and certificate scan QR code or go to vivaldigroup.it and search the product code.

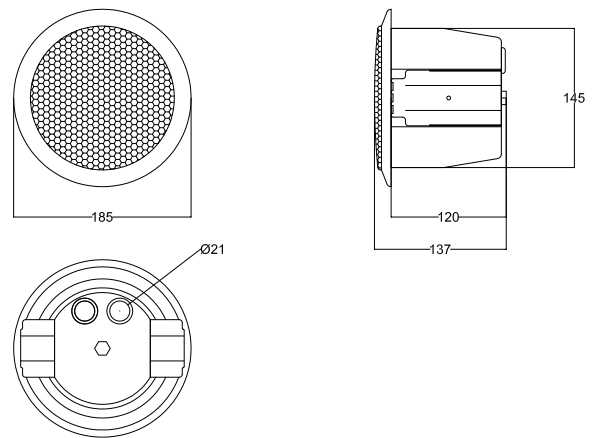


SOUND PRESSURE PER OCTAVE:

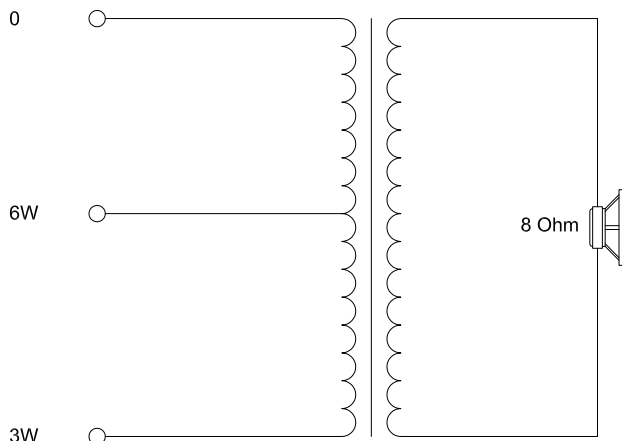
	Oct. SPL 1W/1mt	Oct. SPL Pmax/1mt
250Hz	87	93
500Hz	94	103
1000Hz	96	103
2000Hz	99	107
4000Hz	95	101
8000Hz	87	90

Pink noise measures, all data in dB SPL value.

DIMENSIONS (mm):



SCHEMATIC CIRCUIT:





16

VIVALDI srl
via E. Fermi, 8
Noventa di Piave
(Venice)
Italy

0068 - CPR - 017/2016

EN 54-24:2008

Loudspeaker for voice alarm systems
for fire detection and fire alarm systems for buildings

ROUND13EN
In ceiling speaker 6W

Environment Type A

See documentation DoP n° 0170052016



This is a WEEE device, thus you must dispose it following the local law. Please think at the environment!